

Airscale System



FEATURES

- Up to 2% of net payload
- Gross/Net weight displayed with no driver interaction
- Axle group weight displayed with no driver interaction
- Easy to operate - One program
- Extensive self diagnostic
- Easy two-step calibration
- Post calibration
- Weight set-alarm points
- Supervisor lock-out
- Bright, dependable, easy to read LED display

OPTIONS

- Printer
- Relay board
- Hand held remote

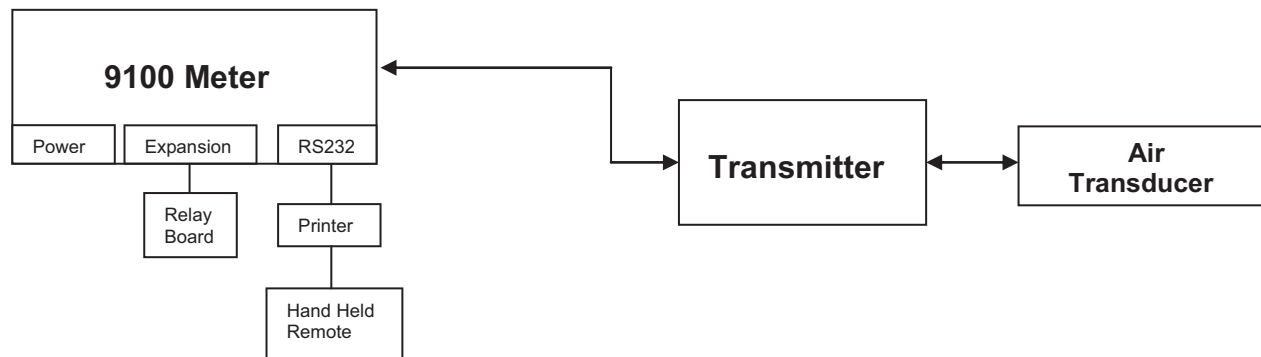
DESCRIPTION

The SI Onboard Airscale system provides gross or net vehicle weight by monitoring air pressure from your air suspension and converting this to a weight. This information is used in avoiding overload fines, choosing disposal sites, and reducing truck maintenance. The system can be installed on any truck with an air suspension. Axle group weights are provided, as well as gross and net weights. Rear-axle-group-only and front-axle-group-only systems are also available. The system is designed for easy operation and is built for accuracy, reliability and longevity.

APPLICATIONS

- Forestry/logging
- Waste
- Bulk hauling
- Aggregate
- Dump truck
- Roll offs
- Agriculture
- Tow trucks

SYSTEM BLOCK DIAGRAM



* Complete Truck system shown

* Available kits for dual leveling valves

Airscale Suspension-Based Weighing System

SI Onboard



Airscale System

SPECIFICATIONS				
PARAMETERS	MIN.	TYP.	MAX.	UNIT
Accuracy	0.5%	1.0%	2.0%	Full Scale
Capacity (GVW)			Unlimited	
Number of transducers	1 or 4			
Number of Channels	1-4			
METER				
Display digits	.45"high, 7-segment, 6-digit, bright-red LED			
Size	6.5" L x 3.2" W x 2.3" D; 2.1 lbs			
Divisions	50, 100 (pounds or KG)			
Units	Pounds or kilogram			
Operating voltage	11.5		16	VDC
Current consumption			400	mA
Operating temperature	14		104	°F
Conversion (Frequency to digital)		2		Updates/ Second
Resolution		4000		Counts
Communications	RS232			
TRANSMITTERS				
Analog input	0.4		1.0	mV/V
Conversion ratio		66		kHz/mV
TRANSDUCER				
Material	Aluminum Alloy			
Size	4" + 2' cable			
Output (@ 150 PSIG)	0.5	1	1.5	mV/V
Impedance	350 Ω Min			Ohm
Capacity			150	PSI

Disclaimer

All product specifications and data are subject to change without notice.

Vishay Precision Group, Inc., its affiliates, agents, and employees, and all persons acting on its or their behalf (collectively, "Vishay Precision Group"), disclaim any and all liability for any errors, inaccuracies or incompleteness contained herein or in any other disclosure relating to any product.

Vishay Precision Group disclaims any and all liability arising out of the use or application of any product described herein or of any information provided herein to the maximum extent permitted by law. The product specifications do not expand or otherwise modify Vishay Precision Group's terms and conditions of purchase, including but not limited to the warranty expressed therein, which apply to these products.

No license, express or implied, by estoppel or otherwise, to any intellectual property rights is granted by this document or by any conduct of Vishay Precision Group.

The products shown herein are not designed for use in medical, life-saving, or life-sustaining applications unless otherwise expressly indicated. Customers using or selling Vishay Precision Group products not expressly indicated for use in such applications do so entirely at their own risk and agree to fully indemnify Vishay Precision Group for any damages arising or resulting from such use or sale. Please contact authorized Vishay Precision Group personnel to obtain written terms and conditions regarding products designed for such applications.

Product names and markings noted herein may be trademarks of their respective owners.